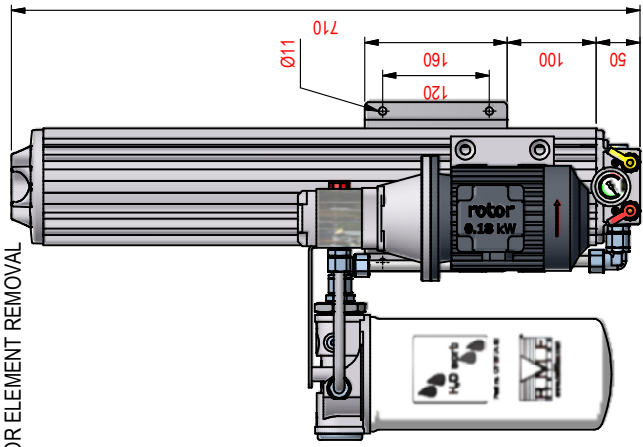


700mm

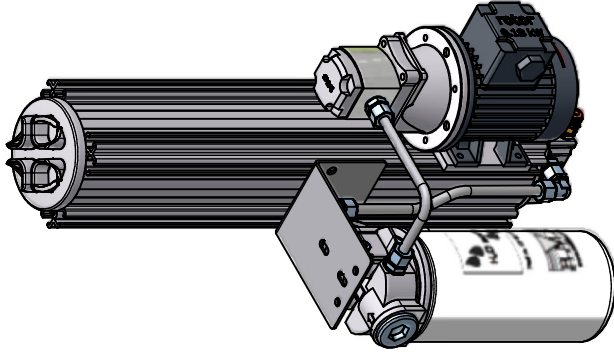
MINIMUM CLEARANCE
 FOR ELEMENT REMOVAL

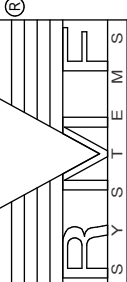


40MM

CLEARANCE FOR
 ELEMENT REMOVAL

MODEL (1 : 6)



2	1	OUTLET	G1/2" - BSP	Female	
1	1	INLET	G3/8" - BSP	Female	
Pos	Qty	Description	size	Material	Remarks
 SYSTEMS Website : WWW.RMFILTER.COM Designed by M.W. Designed date 13-11-2008 Design state WorkInProgress Checked by Checked date PROJECTION DIMENSIONAL TOLERANCE ACCORDING TO ISO 2768HI / NEN 2285 SCALE : 1:1					
Revision			Date	Description	Name
DOCUMENT TITLE					
RMF OLUW1B30HB01000A					
RMF - OFF LINE FILTERS WITH H2O SORB					
ARTICLE NUMBER			DRAWING NUMBER		REVISION
9317592			A3--9-294-12193		

